



ERCO HC3502 B
ERCO HC4502 B

C-Line

Lifting equipment



3500



4500



Electro-hydraulic two post lifts with base connection
for low ceiling height

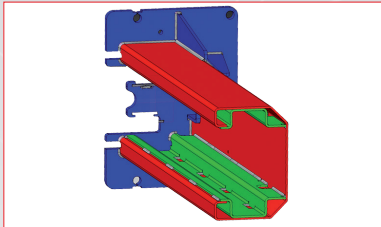


ERCO HC3502 B - ERCO HC4502 B

Electro-hydraulic two post lifts with base connection for low ceiling height.

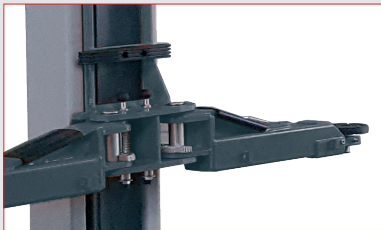
Realignment of the two carriages using metal cables that guarantee excellent synchronisation.

Three-stages asymmetrical lifting arms.



- **Internally reinforced column structure** for little bending and internal cable guiding.

- **Double threaded lifting pad** to ensure excellent vertical adjustment (95÷180 mm).



- **Rubber door protections. Toothed sector arm rotation stop system**

- **Four three-section asymmetrical arms.** Last section of arms very thin (30mm), for easy access to flat vehicles.



SUPPLIED ACCESSORIES

• Mechanical carriage support device on each column ensures optimum working safety. • Two set of extension pads.

OPTIONAL

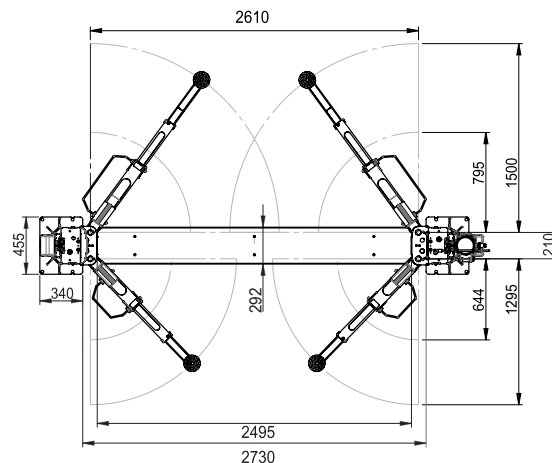
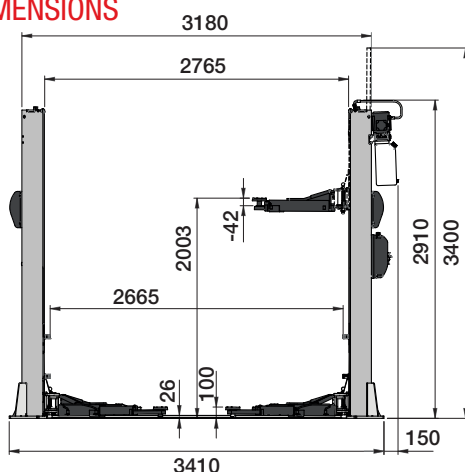
• 8-43300021 Set of 4 extension for pads, H=35 mm • 8-43300014 Set of 4 extension for pads, H=80 mm • 8-43300015 Set of 4 extension for pads, H=140 mm • 8-43300016 Set of 4 adapters for Mercedes Sprinter



TECHNICAL DATA

Model	Lift capacity	Lifting time	Three phase motor	Single phase motor	Max. lifting height	Lift minimum height
ERCO HC3502 B	3500 kg	40 s	400/230V - 3kW	230V - 3kW	2003 mm	100 mm
ERCO HC4502 B	4500 kg		3ph - 50 /60 Hz	1ph - 50 /60 Hz		

OVERALL DIMENSIONS



NEXION SPA - www.corghi.com - info@corghi.com



Designed in
ITALY

