



**Pneumatic wheel  
lifter for wheel  
balancers**



**No more useless efforts!**

**Your ally to reduce effort, increase productivity,  
and improve safety in the workshop.**

## SAFETY AND ERGONOMICS

**New design** with next-generation linear guides to ensure smooth and reliable performance over time.

**Eliminates** the risk of injury due to lifting heavy loads.

**Wheel height adjustable** via the comfortable manual control lever.

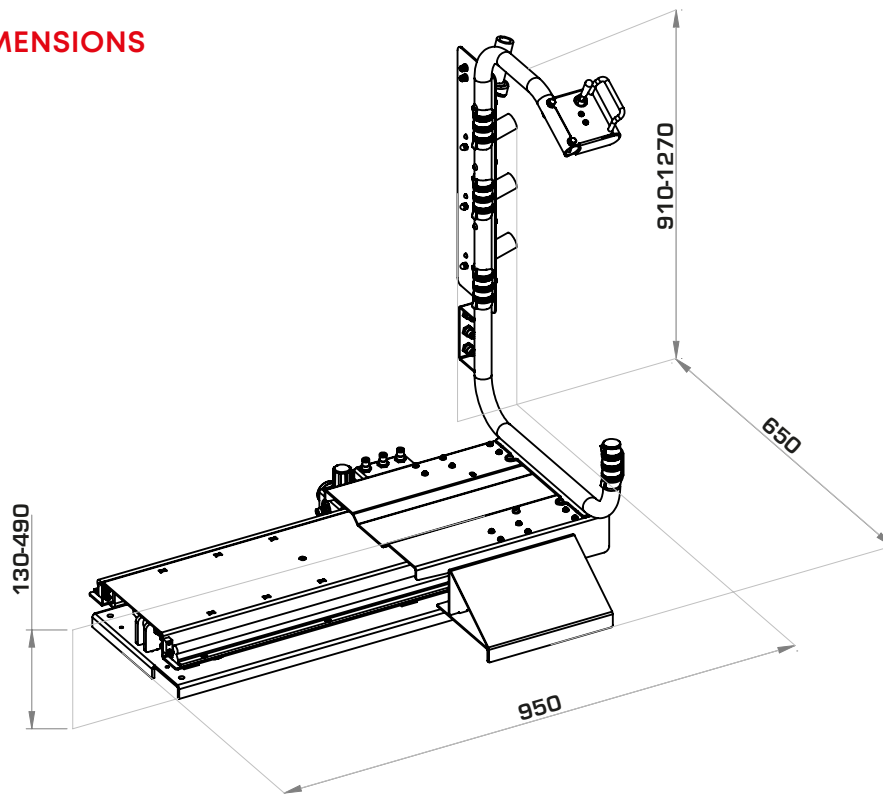
**Integrated accessory holder** in optimal working position.

## TECHNICAL DATA

Capacity	80 kg (175 lbs)
Lifting height	490 mm (19,2")
Min. height	130 mm (5,1")
Max. wheel width	16"
Working pressure	6 ÷ 8 bar (87 ÷ 116 psi)
Air supply pressure	10 bar (145 psi)
Net weight	46 kg (101 lbs)

**UNIVERSAL:** APPLICABLE TO ANY CORGHI WHEEL BALANCER

### OVERALL DIMENSIONS



#### REMARK PROTECT - HEALTH AND SAFETY AT WORK

In compliance with workplace health and safety regulations (Legislative Decree 81/2008 – UNI ISO 11228-1), it is recommended not to manually lift loads exceeding 20 kg during frequent or repetitive handling operations. For heavier weights, a mechanical lifting aid must be used. Age and load position may further reduce the recommended limit.

The manufacturer reserves the right to modify the features of its products at any time.